

CLASSIC



NO MORE DECISIONS!

Spring power, CO₂ or compressed air - is that really the question? In everyday life we're constantly required to make decisions, some of which are very important. But our products are for having fun - so let's enjoy having a choice. We don't see any need to torment ourselves about how an airgun should be powered. A classic break-barrel rifle with an open sight is naturally going to provide a different handling experience than an ultra-modern PCP rifle. But that's a good thing! Each type has something to recommend it, and the decision will never be easy. The best way is to try all three.





08 MADE IN GERMANY

10 CO₂ OPERATED

86 PNEUMATIC

90 SPRING OPERATED

138 COMPRESSED AIR

150 ACCESSORIES



 **MADE IN GERMANY**

When was the first time you felt it? The cool, hard metal, the curved stock and the weight of the airgun in your hand, plus the joy of being outdoors in a world full of adventure. Maybe you were with your father, who gave you that unforgettable moment and perhaps even passed on a tradition of his own. Ever since that time, you've been fascinated by the challenge of hand-eye

coordination that comes with firing a rifle or pistol, whether spring-operated or powered by compressed air. Wouldn't you like to pass this on? Then remember the importance of tradition: Umarex Airguns combine state-of-the-art manufacturing technology with timeless German gunsmithing – and the results are exceptional.

UMAREX AIRGUNS

Whether in metal or wood, short or long, black or nickel-plated, our CO₂-powered airguns offer plenty of fun. Thanks to state-of-the-art technology they can be fired in rapid succession. Their high performance guarantees excitement in both plinking and precision target shooting. The CO₂ cartridges deliver abundant power to each projectile - over and over, down to the very last round. A single cartridge can give you as many as 450 shots, depending on the model. To add to the fun, many of these guns are based on famous models. No other technology is suitable for such multi-shot replicas.



CO₂ OPERATED



MOD. 84 FS

BERETTA

Blowback / Full metal

Item no.	5.8181
Caliber	4.5 mm (.177) BB
Capacity	17 rounds
Length	177 mm
Weight	644 g
Energy max.	2.1 Joules
v ₀	110 m/s (361 fps)



ELITE II

BERETTA

Authentic replica / Easy load system / Incl. Weaver rail

Item no.	5.8090
Caliber	4.5 mm (.177) Pellet
Capacity	18 rounds
Length	215 mm
Weight	686 g
Energy max.	3.5 Joules
v ₀	120 m/s (393 fps)



Px4 STORM

BERETTA

Blowback / Metal slide / Double magazine

Item no.	5.8078
Caliber	4.5 mm (.177) Pellet / BB
Capacity	2 x 8 rounds
Length	192 mm
Weight	755 g
Energy max.	2.5 Joules
v ₀	120 m/s (393 fps)



M92 A1

BERETTA

Blowback / Full metal / Single & double action

Item no.	5.8144
Caliber	4.5 mm (.177) BB
Capacity	18 rounds
Length	215 mm
Weight	1061 g
Energy max.	1.4 Joules
v ₀	90 m/s (295 fps)



5.8327



5.8357 — FLAT DARK EARTH

APX

BERETTA

Blowback / Metal slide / Authentic replica

Item no.	5.8327 / 5.8357
Caliber	4.5 mm (.177) BB
Capacity	19 rounds
Length	190 mm
Weight	666 g
Energy max.	2.5 Joules
V ₀	120 m/s (393 fps)

M92 FS



419.00.02 – NICKEL



419.00.03 – NICKEL / WOOD GRIPS



419.00.17 - POLISHED CHROME

419.131 – WOOD GRIPS FOR BERETTA M92 FS

BERETTA M92 FS

The Beretta M92 is in daily use throughout the world. Military, police and special units rely on this classic Italian pistol. Whether in realistic black, nickel or with wooden grip plates this CO₂-powered replica is just as cool as the original and has a solid, heavy feel. You'll also be happy to discover it's made for accurate shooting - in both double-action and single-action mode.

Item no.	419.00.00 / 419.00.02 / 419.00.03
Caliber	4.5 mm (.177) Pellet
Capacity	8 rounds
Length	210 mm
Weight	1260 g
Energy max.	3.5 Joules
v ₀	120 m/s (393 fps)



Cx4 STORM XT

BERETTA Cx4 STORM XT

With its striking appearance, ease of use and ample power, the Beretta Cx4 Storm holds a place among the premium CO₂ guns. In design it closely resembles the original used by the Italian police and meets similar high standards in terms of versatility, reliability and precision. The large 88 g CO₂ cartridge delivers about 200 shots and fits easily in the thumbhole stock - ideal for rapid firing. The magazine holds 30 pellets, and the Picatinny rail lets you mount a telescopic sight, red-dot sight or laser sight for highly accurate shooting.



M92 FS XX-TREME

BERETTA M92 FS XX-TREME

The Beretta XX-Treme fully lives up to its name. Based on the Beretta M92 FS, it comes with a quad rail, a Top Point I red-dot sight and a massive compensator which heightens the martial appearance. It's simply XX-Treme in every way.

Item no.	419.00.51
Caliber	4.5 mm (.177) Pellet
Capacity	8 rounds
Length	320 mm
Weight	1680 g
Energy max.	3.5 Joules
v ₀	120 m/s (393 fps)



PICATINNY RAILS
475.101 – For Beretta Cx4 Storm



475.00.00 – Cx4 STORM (BASIC MODE)
475.00.10 – Cx4 STORM XT (INCL. SILENCER)
475.00.10C – Cx4 STORM (INCL. MOCK SUPPRESSOR)

Item no.	475.00.00 / 475.00.10 / 475.00.10C
Caliber	4.5 mm (.177) Pellet
Capacity	30 rounds
Length	780 mm
Weight	2400 g
Energy max.	7.5 Joules
v ₀	175 m/s (574 fps)



DEFENDER

COLT
Full metal / Easy load system

Item no.	5.8310
Caliber	4.5 mm (.177) BB
Capacity	16 rounds
Length	180 mm
Weight	760 g
Energy max.	3 Joules
v ₀	130 m/s (426 fps)



5.8176



5.8177 — FLAT DARK EARTH

M45 A1 CQBP

COLT

Blowback / Full metal / Authentic replica

Item no.	5.8176 / 5.8177
Caliber	4.5 mm (.177) BB
Capacity	19 rounds
Length	220 mm
Weight	930 g
Energy max.	1.4 Joules
v ₀	90 m/s (295 fps)



SPECIAL COMBAT CLASSIC

COLT

Dark Ops Finish / Full metal / Single & double action

Item no.	5.8096
Caliber	4.5 mm (.177) BB
Capacity	19 rounds
Length	218 mm
Weight	928 g
Energy max.	2.5 Joules
v ₀	120 m/s (393 fps)

GOVERNMENT 1911 A1



417.00.00



417.00.20 — DARK OPS FINISH

COLT GOVERNMENT 1911 A1

The illustrious military history of the Colt M1911 goes back over 100 years. This is one of the most successful ordnance pistols ever made, and it is still included as personal equipment in many military units around the world. This authentic CO₂-powered replica is now writing its own history, but its rugged construction never lets you forget the famous original. American design is combined here with German engineering. One special feature is its extremely smooth trigger pull. Thanks to precision workmanship, this pistol is a natural high scorer.

Item no.	417.00.00 / 417.00.20
Caliber	4.5 mm (.177) Pellet
Capacity	8 rounds
Length	220 mm
Weight	1080 g
Energy max.	3.5 Joules
v ₀	120 m/s (393 fps)

SAA .45

COLT

Famous Peacemaker Edition / Full metal / Incl. metal shells



5.8320 / 5.8307 — ANTIQUE FINISH

5.8353 — GOLD EDITION



5.8322 / 5.8338 / 5.8309 / 5.8335 — NICKEL FINISH

5.8354 — GOLD EDITION

Item no.	5.8320 — 5.5" / 5.8353 — 5.5"	5.8307 — 5.5"
Caliber	4.5 mm (.177) Pellet	4.5 mm (.177) BB
Capacity	6 rounds	6 rounds
Length	275 mm	275 mm
Weight	867 g	867 g
Energy max.	3.5 Joules	2.5 Joules
v ₀	120 m/s (393 fps)	120 m/s (393 fps)

Item no.	5.8322 — 5.5"	5.8338 — 7.5" / 5.8354 — 7.5"	5.8309 — 5.5"	5.8335 — 7.5"
Caliber	4.5 mm (.177) Pellet	4.5 mm (.177) Pellet	4.5 mm (.177) BB	4.5 mm (.177) BB
Capacity	6 rounds	6 rounds	6 rounds	6 rounds
Length	275 mm	328 mm	275 mm	328 mm
Weight	867 g	997 g	867 g	997 g
Energy max.	3.5 Joules	3.5 Joules	2.5 Joules	3 Joules
v ₀	120 m/s (393 fps)	120 m/s (393 fps)	120 m/s (393 fps)	130 m/s (426 fps)

Item no.	5.8321 — 5.5"	5.8337 — 7.5"	5.8308 — 5.5"	5.8334 — 7.5"
Caliber	4.5 mm (.177) Pellet	4.5 mm (.177) Pellet	4.5 mm (.177) BB	4.5 mm (.177) BB
Capacity	6 rounds	6 rounds	6 rounds	6 rounds
Length	275 mm	328 mm	275 mm	328 mm
Weight	867 g	997 g	867 g	997 g
Energy max.	3.5 Joules	3.5 Joules	2.5 Joules	3 Joules
v ₀	120 m/s (393 fps)	120 m/s (393 fps)	120 m/s (393 fps)	130 m/s (426 fps)



5.8321 / 5.8337 / 5.8308 / 5.8334 — BLUED



5.8341 — ANTIQUE FINISH



5.8336 — ANTIQUE FINISH

SAA .45 CUSTOM SHOP EDITION

COLT

Full metal / Incl. metal shells / Fanning hammer

Item no.	5.8341 — 3.5"
Caliber	4.5 mm (.177) BB
Capacity	6 rounds
Length	226 mm
Weight	866 g
Energy max.	2.1 Joules
v ₀	110 m/s (361 fps)

SAA .45 US MARSHAL EDITION

COLT

Full metal / Incl. metal shells / US Marshal emblem

Item no.	5.8336 — 7.5"
Caliber	4.5 mm (.177) BB
Capacity	6 rounds
Length	328 mm
Weight	997 g
Energy max.	3 Joules
v ₀	130 m/s (426 fps)



5.8147



5.8149

PYTHON

COLT

Adjustable sights / Single & double action

Item no.	5.8147 – 2.5"	5.8149 – 6"
Caliber	4.5 mm (.177) Pellet / BB	4.5 mm (.177) Pellet / BB
Capacity	6 rounds	6 rounds
Length	200 mm	290 mm
Weight	518 g	561 g
Energy max.	2.5 Joules	2.5 Joules
v ₀	100 m/s (328 fps)	100 m/s (328 fps)



17 GEN4

GLOCK

Blowback / Metal slide / Adjustable Shoot-up

Item no.	5.8364
Caliber	4.5 mm (.177) BB
Capacity	19 rounds
Length	203 mm
Weight	360 g
Energy max.	2 Joules
v ₀	110 m/s (361 fps)



17

GLOCK

Blowback / Metal slide / All-in-One magazine

Item no.	5.8361
Caliber	4.5 mm (.177) BB
Capacity	18 rounds
Length	185 mm
Weight	646 g
Energy max.	3 Joules
v ₀	120 m/s (393 fps)



22 GEN4

GLOCK

Metal slide / Drop out magazine

Item no.	5.8360
Caliber	4.5 mm (.177) BB
Capacity	19 rounds
Length	200 mm
Weight	641 g
Energy max.	3 Joules
v ₀	120 m/s (393 fps)



5.8365



5.8366 — THREADED BARREL



17

GLOCK

Bowback / Metal slide / Comes in original GLOCK case

Item no.	5.8365 / 5.8366
Caliber	4.5 mm (.177) Pellet / BB
Capacity	8 rounds
Length	230 mm
Weight	795 g
Energy max.	3 Joules
v ₀	120 m/s (393 fps)

19

GLOCK

Metal slide / Authentic replica

Item no.	5.8358
Caliber	4.5 mm (.177) BB
Capacity	16 rounds
Length	186 mm
Weight	717 g
Energy max.	3 Joules
v ₀	130 m/s (426 fps)

850 AIRMAGNUM



HÄMMERLI 850 AIRMAGNUM

With its innovative multi-shot CO₂ bolt-action system, the Hämmarli 850 AirMagnum is a genuine alternative to a conventional spring-powered air rifle. With each repeating operation, a pellet is fed into the rigid barrel, just as in a real precision rifle. A clean shot is released, with no loss of energy. Thanks to this system, the 850 AirMagnum has no trouble hitting distant targets. It is powered by an 88 gram CO₂ capsule.

With an adapter, two capsules filled with 12 grams of CO₂ each fit into the puncture unit. The all-weather synthetic Monte Carlo stock is suitable for both right-handers and left-handers, and its chequered surface ensures a firm grip. The fibre-optic sight supports rapid target acquisition.

Item no.	465.00.00	465.00.10	465.00.24	465.00.20
Caliber	4.5 mm (.177)	4.5 mm (.177)	5.5 mm (.22)	5.5 mm (.22)
Capacity	8 rounds	8 rounds	8 rounds	8 rounds
Length	1040 mm	1040 mm	1040 mm	1040 mm
Weight	2600 g	2600 g	2600 g	2600 g
Energy	7.5 Joules	16 Joules	7.5 Joules	16 Joules
v ₀	max. 250 m/s (820 fps)	max. 250 m/s (820 fps)	max. 250 m/s (820 fps)	max. 250 m/s (820 fps)

850 AIRMAGNUM TARGET KIT



Item no.	465.00.05-2 / 465.00.15-2
Caliber	4.5 mm (.177)
Capacity	8 rounds
Length	1160 mm
Weight	3500 g
Energy	7.5 Joules
v ₀	max. 250 m/s (820 fps)

HÄMMERLI 850 AIRMAGNUM TARGET KIT

The kit includes a Walther 6 x 42 telescopic sight, compensator and CO₂ adapter tank with a check valve for two 12 g cartridges.

850 AIRMAGNUM XT



Item no.	465.00.05-4 / 465.00.15-4 / 465.00.15-4C — (INCL. MOCK SUPPRESSOR)
Caliber	4.5 mm (.177)
Capacity	8 rounds
Length	1160 mm
Weight	3500 g
Energy	7.5 Joules
v ₀	max. 250 m/s (820 fps)

HÄMMERLI 850 AIRMAGNUM XT

The XT kit offers key accessories for advanced recreational shooters. It includes a Walther 6 x 42 telescopic sight, a universally adjustable bipod and a compensator.



5.8344



5.8351 – TUNGSTEN GRAY

VP9

HECKLER & KOCH

Blowback / Metal slide / All-in-One magazine

Item no.	5.8344 / 5.8351
Caliber	4.5 mm (.177) BB
Capacity	18 rounds
Length	185 mm
Weight	646 g
Energy max.	3 Joules
v ₀	120 m/s (393 fps)



USP

HECKLER & KOCH
Blowback / Metal slide

Item no.	5.8346
Caliber	4.5 mm (.177) BB
Capacity	18 rounds
Length	205 mm
Weight	976 g
Energy max.	1.8 Joules
v ₀	100 m/s (328 fps)

USP

HECKLER & KOCH
Metal slide / Drop-free magazine

Item no.	5.8100
Caliber	4.5 mm (.177) BB
Capacity	22 rounds
Length	114 mm
Weight	1005 g
Energy max.	2.5 Joules
v ₀	120 m/s (393 fps)



HECKLER & KOCH P30

This CO₂ version of the distinctive Heckler & Koch P30 is built for pure enjoyment. It looks great, operates beautifully and has a unique feature: It can shoot 4.5 mm pellets from its 8-round rotary magazine or, alternatively, 15 Steel BBs from the stick magazine in the grip. Whether you like target shooting with pellets or plinking with BBs, you'll get plenty of fun from this high-performance, precision-made gun.

HK45

HECKLER & KOCH

Metal slide

Item no.	5.0185
Caliber	4.5 mm (.177) BB
Capacity	19 rounds
Length	203 mm
Weight	630 g
Energy max.	2.5 Joules
v ₀	120 m/s (393 fps)

P30

Item no.	402.00.00
Caliber	4.5 mm (.177) Pellet / BB
Capacity	8 / 15 rounds
Length	180 mm
Weight	770 g
Energy max.	3.5 Joules
v ₀	120 m/s (393 fps)



MP5 K-PDW

HECKLER & KOCH

Blowback / Foldable & removable buttstock

Item no.	5.8159
Caliber	4.5 mm (.177) BB
Capacity	41 rounds
Length	591 mm
Weight	1635 g
Energy max.	3,9 Joules
v ₀	150 m/s (492 fps)



JERICHO B

IWI

Metal slide / Movable slide

Item no.	5.8174
Caliber	4.5 mm (.177) BB
Capacity	23 rounds
Length	190 mm
Weight	548 g
Energy max.	2.5 Joules
v ₀	120 m/s (393 fps)



MINI UZI

IWI

Blowback / Metal frame / Foldable buttstock

Item no.	5.8141
Caliber	4.5 mm (.177) BB
Capacity	29 rounds
Length	356 / 594 mm
Weight	1242 g
Energy max.	3 Joules
v ₀	130 m/s (426 fps)



MAKAROV

LEGENDS

Full metal / Easy load system

Item no.	5.8152
Caliber	4.5 mm (.177) BB
Capacity	20 rounds
Length	162 mm
Weight	352 g
Energy max.	2.5 Joules
v ₀	120 m/s (393 fps)



5.8142 – BLOWBACK
5.8135 – NON-BLOWBACK

P.08

LEGENDS

Blowback (5.8142 only) / Full metal

Item no.	5.8142	5.8135
Caliber	4.5 mm (.177) BB	4.5 mm (.177) BB
Capacity	20 rounds	21 rounds
Length	216 mm	216 mm
Weight	854 g	816 g
Energy max.	1.4 Joules	2.5 Joules
V ₀	90 m/s (295 fps)	120 m/s (393 fps)

S25 / S40 / S60

LEGENDS
Full metal



C96 FM

LEGENDS
Blowback / Full metal

Item no.	5.8197
Caliber	4.5 mm (.177) BB
Capacity	20 rounds
Length	300 mm
Weight	1437 g
Energy max.	2.1 Joules
v ₀	110 m/s (361 fps)



5.8129 — S60 6" CHROME FINISH



5.8127 — S40 4" CHROME FINISH



5.8125 — S25 2,5" CHROME FINISH

Item no.	5.8129	5.8127	5.8125
Caliber	4.5 mm (.177) Pellet / BB	4.5 mm (.177) Pellet / BB	4.5 mm (.177) Pellet / BB
Capacity	6 rounds	6 rounds	6 rounds
Length	300 mm	246 mm	210 mm
Weight	945 g	880 g	855 g
Energy max.	3.5 Joules	3.5 Joules	3.5 Joules
v ₀	120 m/s (393 fps)	120 m/s (393 fps)	120 m/s (393 fps)



MP GERMAN

LEGENDS

Blowback / Full metal / Foldable buttstock

Item no.	5.8143
Caliber	4.5 mm (.177) BB
Capacity	50 rounds
Length	830 mm
Weight	3500 g
Energy max.	3.4 Joules
V ₀	140 m/s (459 fps)

MP GERMAN LEGACY EDITION

LEGENDS

Used Look / Blowback / Full metal / Foldable buttstock

Item no.	5.8325
Caliber	4.5 mm (.177) BB
Capacity	50 rounds
Length	830 mm
Weight	3500 g
Energy max.	3.4 Joules
V ₀	140 m/s (459 fps)



5.8318



5.8319 — FLAT DARK EARTH

M&P40 TS

Item no.	5.8318 / 5.8319
Caliber	4.5 mm (.177) BB
Capacity	15 rounds
Length	192 mm
Weight	725 g
Energy max.	1.4 Joules
v ₀	90 m/s (295 fps)



M&P40

SMITH & WESSON
Metal slide / Easy load system

Item no.	5.8093
Caliber	4.5 mm (.177) BB
Capacity	19 rounds
Length	194 mm
Weight	447 g
Energy max.	3 Joules
v ₀	130 m/s (426 fps)



M&P45

SMITH & WESSON
Single & double action / Easy load system

Item no.	5.8162
Caliber	4.5 mm (.177) Pellet
Capacity	8 rounds
Length	205 mm
Weight	620 g
Energy max.	3.5 Joules
v ₀	120 m/s (393 fps)

CLASSIC / CO₂-OPERATED



M&P R8

SMITH & WESSON

Single & double action / Easy load system

Item no.	5.8163
Caliber	4.5 mm (.177) BB
Capacity	8 rounds
Length	267 mm
Weight	650 g
Energy max.	3 Joules
v ₀	130 m/s (426 fps)



586

SMITH & WESSON 586

This replica of the classic Smith & Wesson revolver comes extremely close to the legendary original. Not only does it have the same weight and size, the handling and trigger characteristics are equally impressive. This is how a real revolver should feel. The CO₂ version of the Smith & Wesson Mod. 586 comes with a 4" or 6" barrel and micrometer sights for precise pellet shooting from the 10-round rotary magazine. The 12 g CO₂ cartridge is concealed behind non-slip combat rubber grips.



448.00.04

448.00.00



ADAPTER RAIL
448.107 — For Smith & Wesson 586 and 686



WEAVER RAIL MOUNT
448.108 — For Smith & Wesson 586 and 686

Item no.	448.00.04 — 4"	448.00.00 — 6"
Caliber	4.5 mm (.177) Pellet	4.5 mm (.177) Pellet
Capacity	10 rounds	10 rounds
Length	235 mm	285 mm
Weight	1130 g	1250 g
Energy max.	3.5 Joules	4.1 Joules
v ₀	120 m/s (393 fps)	130 m/s (426 fps)

686

SMITH & WESSON 686

The original was developed for self-defence, police and military units, but this CO₂ replica is a particular favourite among sport shooters and recreational shooters. It has the same genuine design and excellent quality. Three models are available, with finishes from graphite black to elegant gold, and each comes with non-slip combat rubber grip plates. The weight is a respectable 1250 g. When the 10-shot rotary magazine is empty, you can swing it out with the cylinder release for easy replacement.



448.00.02 – NICKEL



448.00.01 – GRAPHITE BLACK



448.00.03 – GOLD FINISH (24 CARAT)

Item no.	448.00.01 / 448.00.02 / 448.00.03
Caliber	4.5 mm (.177) Pellet
Capacity	10 rounds
Length	285 mm
Weight	1250 g
Energy max.	4.1 Joules
v ₀	130 m/s (426 fps)

CPS



412.02.02



412.02.08 — KRYPTEK

UMAREX CPS

Beginnings don't always have to be difficult. The Umarex CPS, a dependable entry-level model for ambitious sport shooters and recreational shooters, is proof. Low price, few features? No! The CPS has a lot to offer: an 8-shot rotary magazine, an adjustable sight and a 12 g CO₂ cartridge for power. It's all you need. The frame also has a rail mount for accessories. How about it? Give it a shot!



WEAVER RAIL MOUNT

412.112 — For Walther CP99 and Umarex CPS

Item no.	412.02.02 / 412.02.08
Caliber	4.5 mm (.177) Pellet
Capacity	8 rounds
Length	180 mm
Weight	550 g
Energy max.	3.5 Joules
v ₀	120 m/s (393 fps)



BRIDGE MOUNT

412.113 — With 11 mm rail, for point sights

RP5



THE NEW UMAREX RP5

Looking for something unique? Then the Umarex RP5 is what you need. Its modular structure gives you a wide range of options and points the way for the next generation of airguns. The Umarex RP5 embodies more than 45 years of experience in the development and manufacture of airguns. We've emphasized this by adding the lettering "Made in Germany" to it - a time-honored quality guarantee and our promise of superior precision and performance.

The Umarex RP5 is a CO₂-powered pump-action gun. Its piercing unit can hold either one or two 12 g CO₂ cylinders. Pellets are loaded into the barrel with a simple pumping movement, as in some shotguns. This is an absolutely new feature that increases the firing rate and, with a muzzle energy up to 11 Joules, ensures plenty of fun. The unique design is suitable for both right-handers and left-handers.

Item no.	406.00.00	406.01.00	406.01.50
Caliber	4.5 mm (.177) Pellet	5.5 mm (.22) Pellet	5.5 mm (.22) Pellet
Capacity	5 rounds	5 rounds	5 rounds
Length	435 mm	435 mm	435 mm
Weight	1140 g	1140 g	1140 g
Energy	7.5 Joules	7.5 Joules	11 Joules
v ₀	175 m/s (574 fps)	125 m/s (412 fps)	152 m/s (500 fps)

Item no.	406.00.01-1	406.01.01-1	406.01.51-1
Caliber	4.5 mm (.177) Pellet	5.5 mm (.22) Pellet	5.5 mm (.22) Pellet
Capacity	5 rounds	5 rounds	5 rounds
Length	752 mm	752 mm	752 mm
Weight	1940 g	1940 g	1940 g
Energy	7.5 Joules	7.5 Joules	11 Joules
v ₀	175 m/s (574 fps)	125 m/s (412 fps)	152 m/s (500 fps)

406.00.01-1 / 406.01.01-1 / 406.01.51-1 — UMAREX RP5 CARBINE KIT



406.00.00 / 406.01.00 / 406.01.50 — UMAREX RP5

The basic model comes ready to use and features first-class workmanship. At 1.1 kilograms, it's neither too light nor too heavy. But what makes the Umarex RP5 really interesting is the almost infinite selection of accessories, allowing you to put together a one-of-a-kind gun. "Limitations" are not in the vocabulary of the RP5. The options start with an exchangeable barrel system with a compensator or muzzle thread, plus a

wide selection of surfaces. You can put in 5-shot or single-shot magazines and add Picatinny rails for holding lights, lasers and grips. Further possibilities include a shoulder stock and sights for precision firing. The RP5 is just begging to be customized.

Take this opportunity to create your personal version of the revolutionary Umarex RP5!



MCP

UX

Picatinny rail / Compact design

Item no.	5.8343
Caliber	4.5 mm (.177) BB
Capacity	20 rounds
Length	200 mm
Weight	414 g
Energy max.	2.5 Joules
v ₀	120 m/s (393 fps)



XBG

UX

Picatinny rail

Item no.	5.8173
Caliber	4.5 mm (.177) BB
Capacity	19 rounds
Length	171 mm
Weight	400 g
Energy max.	2.5 Joules
v ₀	120 m/s (393 fps)



TDP45

UX

Picatinny rail

Item no.	5.8180
Caliber	4.5 mm (.177) BB
Capacity	19 rounds
Length	220 mm
Weight	455 g
Energy max.	2.5 Joules
v ₀	120 m/s (393 fps)



TORNADO

UX

Picatinny rails / Martial design

Item no.	5.8199
Caliber	4.5 mm (.177) BB
Capacity	10 rounds
Length	260 mm
Weight	687 g
Energy max.	2.5 Joules
v ₀	120 m/s (393 fps)



SA10

UX
Blowback / Metal slide

Item no.	5.8328
Caliber	4.5 mm (.177) Pellet / BB
Capacity	8 rounds
Length	230 mm
Weight	924 g
Energy max.	3.5 Joules
v ₀	130 m/s (426 fps)



HPP

UX
Blowback / Full metal

Item no.	5.8156
Caliber	4.5 mm (.177) BB
Capacity	15 rounds
Length	175 mm
Weight	815 g
Energy max.	3 Joules
v ₀	130 m/s (426 fps)



RACE GUN KIT

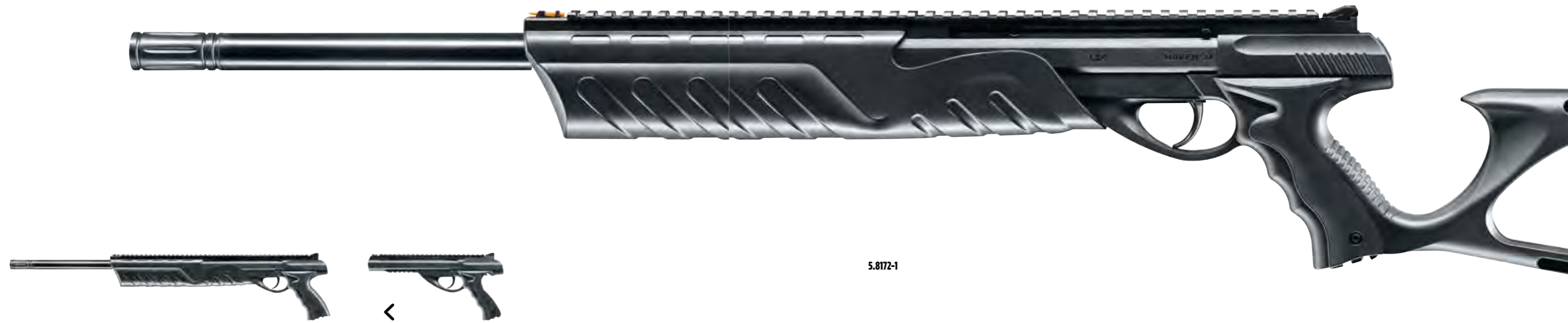
UX
Full metal / Incl. Walther dot sight Competition II

Item no.	5.8161-1
Caliber	4.5 mm (.177) BB
Capacity	22 rounds
Length	267 mm
Weight	1074 g
Energy max.	3 Joules
v ₀	130 m/s (426 fps)

MORPH 3X

UX MORPH 3X

One model - three versions: pistol, shotgun or rifle! Thanks to its modular design, this CO₂ pistol can easily be converted with a butt stock or a long barrel. Its ergonomic grip can be used by both right-handers and left-handers. A considerable energy gain can be achieved in seconds by attaching the barrel, and no tools at all are required.



5.8172-1



5.8172



MORPH PISTOL

Item no.	5.8172	5.8172-1
Caliber	4.5 mm (.177) BB	4.5 mm (.177) BB
Capacity	30 rounds	30 rounds
Length	525 mm	980 mm
Weight	525 g	1170 g
Energy max.	3 Joules	6 Joules
v ₀	130 m/s (426 fps)	185 m/s (607 fps)



PPK/S

WALTHER
Blowback / Metal slide

Item no.	5.8315
Caliber	4.5 mm (.177) BB
Capacity	15 rounds
Length	155 mm
Weight	560 g
Energy max.	1.4 Joules
v ₀	90 m/s (295 fps)



PPQ

WALTHER
Metal slide / HI-GRIP™-structure

Item no.	5.8160
Caliber	4.5 mm (.177) Pellet
Capacity	8 rounds
Length	180 mm
Weight	618 g
Energy max.	2.5 Joules
v ₀	100 m/s (328 fps)



5.8089



5.8389 – GOLD EDITION

P38

WALTHER
Blowback / Full metal

Item no.	5.8089 / 5.8389
Caliber	4.5 mm (.177) BB
Capacity	20 rounds
Length	211 mm
Weight	730 g
Energy max.	2.5 Joules
v ₀	120 m/s (393 fps)

CP88

CP88 COMPETITON



416.00.00



416.00.02 — POLISHED CHROME



416.00.03 — NICKEL



416.131 — WOOD GRIPS FOR WALTHER CP88



416.00.05



416.00.08 — NICKEL

WALTHER CP88

If you own a CP88, you also own a piece of history. This is not only an authentic replica of the legendary Walther P88, it's also the first pellet-shooting CO₂ pistol made by Umarex. At the time, this was a true milestone and absolutely unique. In precision, performance and reliability it set standards for a whole generation of recreational guns. With its 8-shot rotary magazine and interchangeable barrel system, the CP88 still commands respect. It's what legends are made of.

Item no.	416.00.00 / 416.00.02 / 416.00.03	416.00.05 / 416.00.08
Caliber	4.5 mm (.177) Pellet	4.5 mm (.177) Pellet
Capacity	8 rounds	8 rounds
Length	180 mm	230 mm
Weight	1040 g	1150 g
Energy max.	3.5 Joules	4 Joules
v ₀	120 m/s (393 fps)	130 m/s (426 fps)

CP99



412.00.00



412.00.01 — NICKEL



5.8064 — COMPACT



WEAVER RAIL MOUNT

412.112 — For Walther CP99 and Umarex CPS

WALTHER CP99

The Walther CP99 is simply authentic. The many variants are used by police units throughout the world and prized by sport shooters and collectors. This CO₂ version looks just like the original and shares its technical features: a decocking lever, ambidextrous magazine release and interchangeable backstrap. Innovative details, including a fast-action system for quick loading and quick-change cartridges, make the CO₂ version an ideal replica. It has all the feel of the original. Because it's authentic.

NIGHTHAWK



412.02.30 — INKL. COMPENSATOR, MOUNT AND SIGHTS

WALTHER NIGHTHAWK

When it comes to design, the NightHawk makes no compromises. Its martial appearance and wealth of details announce that it means business. The innovative NH compensator not only looks terrific, it also significantly improves shooting performance. The mount on the frame provides space for a sight and many other accessories. With its commanding presence and high power this CO₂ pistol is absolutely unique.

Item no.	412.00.00 / 412.00.01	5.8064	412.02.30
Caliber	4.5 mm (.177) Pellet	4.5 mm (.177) Pellet	4.5 mm (.177) Pellet
Capacity	8 rounds	18 rounds	8 rounds
Length	180 mm	167 mm	248 mm
Weight	740 g	755 g	960 g
Energy max.	3.5 Joules	3.0 Joules	3.5 Joules
v ₀	110 m/s (361 fps)	90 m/s (295 fps)	120 m/s (393 fps)

LEVER ACTION

LEVER ACTION

Whether in the original or as a CO₂ version, the standard model, made of exquisite wood and rugged metal, is a true classic.

LEVER ACTION WELLS FARGO

A real attention-getter: With its gold receiver and high-quality beech stock, the Walther LeverAction Wells Fargo cannot be overlooked.

LEVER ACTION STEEL FINISH

This model comes in elegant brushed steel and with a special stained beech stock.



460.00.40

460.00.41

460.00.43

WALTHER LEVER ACTION

The Walther LeverAction models successfully bring together tradition and innovation: a legendary American repeater combined with the latest CO₂ technology. The large 88 g CO₂ cartridge has a capacity of at least 450 shots at constant energy. Operating this repeater puts you right back in the Wild West. It works like the legendary original: When you push the lever forward, it moves the rotary magazine ahead by one position, at the same time drawing back the bolt and cocking the hammer. An American legend lives on – made in Germany.

Item no.	460.00.40 / 460.00.41 / 460.00.43
Caliber	4.5 mm (.177) Pellet
Capacity	8 rounds
Length	996 mm
Weight	2800 g
Energy	7.5 Joules
v ₀	175 m/s (574 fps)



BRIDGE MOUNT FOR LEVER ACTION

460.113 — Suitable for 11 mm scope mounts and Weaver profile



PNEUMATIC

Pumping gives you more power: pneumatic guns use compressed air as a propellant. However, rather than being supplied from a pressurized cylinder, the air is compressed by the user, who pumps the gun several times. The first air rifles were manufactured way back in the 17th century, when they were used for hunting. But today's users are not motivated by nostalgia. Present-day models are based on the very latest engineering standards. The advantage of pneumatic airguns is that they require no additional equipment. You just pump them a few times and you're ready to shoot.


APX



NXG APX

The Next Generation APX from Umarex is the genesis of modern youth air rifles. It redefines the standard of airguns designed for younger and small-framed shooters with a multitude of modern-day features that includes an automatic safety – a feature never before seen on a pneumatic rifle of this type. The dual ammunition APX features a progressive stock design that's ergonomic, modern and impact resistant. Its grip is designed with a narrow curve that's comfortable for shooters with smaller hands creating better control and a safer shooting environment. Its multi-pump action and easy-load pellet ramp is easy to use for right or left-handed shooters and it deploys alloy projectiles up to a velocity of 800 feet per second at maximum air charge.

Item no.	2.4999
Caliber	4.5 mm (.177) Pellet / BB
Capacity	1 Pellet / 250 BB
Length	990 mm
Weight	1520 g
Energy max.	7.5 Joules
v ₀	175 m/s (574 fps)

A man with a beard and a tan cap is carrying a rifle over his shoulder. He is wearing a blue and red plaid shirt over a blue button-down shirt. The background is a blurred forest scene.

Our spring-powered guns are genuine classics. They are based on sophisticated engineering, with robust and precise steel spring mechanisms. With their reliable, indestructible components these mechanical masterpieces can last for generations. Spring-powered guns are always ready to fire, require no extra equipment and maintain their smooth accuracy year after year. Just cock, load, aim and fire. They're friends for life - honest and authentic.

SPRING OPERATED



BUCK MARK URX

BROWNING

Authentic replica / Ergonomic design / Picatinny rail

Item no.	2.4848
Caliber	4.5 mm (.177)
Length	305 mm
Weight	680 g
Energy	7.5 Joules



800 MAG

BROWNING

Synthetic frame / Adjustable fiber optic sights

Item no.	2.4952
Caliber	4.5 mm (.177)
Length	458 mm
Weight	1736 g
Energy	7.5 Joules



X-BLADE II

BROWNING

Polymer barrel sleeve / Micrometer sights / Rear sight fully adjustable

Item no.	2.4353	2.4354	2.4355	2.4357	2.4358
Caliber	4.5 mm (.177)	4.5 mm (.177)	4.5 mm (.177)	5.5 mm (.22)	5.5 mm (.22)
Length	1100 mm	1100 mm	1100 mm	1100 mm	1100 mm
Weight	2550 g	2550 g	2550 g	2550 g	2550 g
Energy	7.5 Joules	16 Joules	19.9 Joules	16 Joules	19.9 Joules



X-BLADE II GP

BROWNING

Gas piston / Polymer barrel sleeve / Micrometer sights / Rear sight fully adjustable

Item no.	2.4359	2.4360	2.4362
Caliber	4.5 mm (.177)	4.5 mm (.177)	5.5 mm (.22)
Length	1100 mm	1100 mm	1100 mm
Weight	2600 g	2600 g	2600 g
Energy	7.5 Joules	24 Joules	24 Joules



M-BLADE

BROWNING

Polymer barrel sleeve / Micrometer sights / Rear sight fully adjustable

Item no.	2.4972	2.4985
Caliber	4.5 mm (.177)	4.5 mm (.177)
Length	990 mm	990 mm
Weight	2355 g	2355 g
Energy	7.5 Joules	10 Joules

*SCOPE NOT INCLUDED



X-BLADE HUNTER

BROWNING

Wood stock / Polymer barrel sleeve / Micrometer sights / Rear sight fully adjustable

Item no.	2.4966	2.4982	2.4988	2.4967	2.4990
Caliber	4.5 mm (.177)	4.5 mm (.177)	4.5 mm (.177)	5.5 mm (.22)	5.5 mm (.22)
Length	1100 mm	1100 mm	1100 mm	1100 mm	1100 mm
Weight	3040 g	3040 g	3040 g	3040 g	3040 g
Energy	7.5 Joules	16 Joules	20 Joules	16 Joules	24 Joules

*SCOPE NOT INCLUDED



FIREFOX 500

HÄMMERLI

Structured grips / Adjustable rear sight / Micrometer sights / Incl. compensator

Item no.	2.4940	2.4940-1
Caliber	4.5 mm (.177)	4.5 mm (.177)
Length	1129 mm	1129 mm
Weight	3000 g	3000 g
Energy	7.5 Joules	7.5 Joules



BLACK FORCE 800 COMBO

HÄMMERLI
Micrometer sights / Silencer / Incl. 4 x 32 scope

Item no.	2.4363
Caliber	4.5 mm (.177)
Length	1260 mm
Weight	3620 g
Energy	7.5 Joules



BLACK FORCE 880

HÄMMERLI

Polymer barrel sleeve / Micrometer sights

Item no.	2.4889	2.4898	2.4899
Caliber	4.5 mm (.177)	4.5 mm (.177)	5.5 mm (.22)
Length	1165 mm	1165 mm	1165 mm
Weight	3742 g	3742 g	3742 g
Energy	7.5 Joules	16 Joules	16 Joules



BLACK FORCE 550

HÄMMERLI

Wood stock / Adjustable micrometer sights

Item no.	2.4977
Caliber	4.5 mm (.177)
Length	1060 mm
Weight	2765 g
Energy	7.5 Joules



HUNTER FORCE 600 COMBO

HÄMMERLI

Wood stock / Structured grips / Incl. 4 x 32 scope

Item no.	2.4943
Caliber	4.5 mm (.177)
Length	1129 mm
Weight	2850 g
Energy	7.5 Joules



HUNTER FORCE 750 COMBO

HÄMMERLI

Wood stock / Structured grips / Incl. 4 x 32 scope

Item no.	2.4946	2.4948
Caliber	4.5 mm (.177)	4.5 mm (.177)
Length	1098 mm	1098 mm
Weight	3380 g	3380 g
Energy	7.5 Joules	16 Joules



HUNTER FORCE 900 COMBO

HÄMMERLI

Wood stock / Underlever rifle / Incl. 6 x 42 scope

Item no.	2.4934	2.4936
Caliber	4.5 mm (.177)	4.5 mm (.177)
Length	1150 mm	1150 mm
Weight	4060 g	4060 g
Energy	7.5 Joules	16 Joules



HUNTER FORCE 1000 COMBO

HÄMMERLI

Wood stock / Structured grips / Incl. 6 x 42 scope

Item no.	2.4949
Caliber	4.5 mm (.177)
Length	1172 mm
Weight	3880 g
Energy	24 Joules



FIRE HORNET

HÄMMERLI

Synthetic frame / Incl. attachable cocking aid

Item no.	2.4951
Caliber	4.5 mm (.177)
Length	375 mm
Weight	1380 g
Energy	5 Joules



S3

PERFECTA

Synthetic frame / Adjustable sights

Item no.	2.4930
Caliber	4.5 mm (.177)
Length	346 mm
Weight	1000 g
Energy	7.5 Joules



MOD. 32 SET



PERFECTA

Wood stock / Set includes: 4 x 15 scope, 1 x dartboard, 10 x rifle darts, 20 x paper targets, 500 x pellets

Item no.	2.4955 – RIFLE ONLY	2.4955-1 – SET
Caliber	4.5 mm (.177)	4.5 mm (.177)
Length	1095 mm	1095 mm
Weight	2600 g	2710 g
Energy	7.5 Joules	7.5 Joules



MOD. 45 SET



PERFECTA

Wood stock / Set includes: 4 x 15 scope, 1 x dartboard, 10 x rifle darts, 20 x paper targets, 500 x pellets

Item no.	2.4916 – RIFLE ONLY	2.4916-1 – SET
Caliber	4.5 mm (.177)	4.5 mm (.177)
Length	1010 mm	1010 mm
Weight	2600 g	2710 g
Energy	7.5 Joules	7.5 Joules



MARK I

RUGER

Synthetic frame / Fiberoptic sights / Incl. attachable cocking aid

Item no.	2.4963
Caliber	4.5 mm (.177)
Length	361 mm
Weight	1210 g
Energy	7.5 Joules



AIR SCOUT

RUGER

Synthetic stock / Fully adjustable micrometer sight / Incl. 4 x 32 scope

Item no.	2.4893 – RIFLE ONLY	2.4892-1 – KIT
Caliber	4.5 mm (.177)	4.5 mm (.177)
Length	1150 mm	1150 mm
Weight	3438 g	3438 g
Energy	16 Joules	7.5 Joules



AIR SCOUT MAGNUM

RUGER

Synthetic stock / Fully adjustable micrometer sight

Item no.	2.4895
Caliber	4.5 mm (.177)
Length	1294 mm
Weight	4040 g
Energy	32 Joules



AIR SCOUT RANCHER

RUGER

Wood stock / Structured grips / Incl. 4 x 32 scope

Item no.	2.4896-1-KIT
Caliber	4.5 mm (.177)
Length	1150 mm
Weight	3438 g
Energy	7.5 Joules



DX17

UX

Picatinny rail / Fiber optic sights

Item no.	5.8187
Caliber	4.5 mm (.177) Pellet / BB
Length	240 mm
Weight	436 g
Energy max.	3 Joules



TREVOX

UX

T.N.T. gas piston system / Silence Air 3 System / Fiber optic sights

Item no.	2.4369
Caliber	4.5 mm (.177) Pellet
Length	460 mm
Weight	1450 g
Energy	7.5 Joules

PATROL

UX

Synthetic thumbhole stock / Incl. 3-7 x 20 scope

Item no.	2.4996-1
Caliber	4.5 mm (.177)
Length	1035 mm
Weight	2795 g
Energy	7.5 Joules

TERRUS



601.00.00-1 – WALTHER TERRUS KIT

WALTHER TERRUS

With its modern design, classic mechanism and low price the Walther Terrus is an ideal entry-level spring-powered rifle. It offers everything you need for precise shooting: an adjustable rear sight and an XT trigger with adjustable first stage. The non-slip HI-GRIP™ finish on the widened synthetic forearm and the pistol grip make the rifle easy to hold.

Item no.	601.00.00 / 601.00.00-1	601.00.30	601.00.50	601.01.30	601.01.50
Caliber	4.5 mm (.177)	4.5 mm (.177)	4.5 mm (.177)	5.5 mm (.22)	5.5 mm (.22)
Length	1094 mm	1094 mm	1094 mm	1094 mm	1094 mm
Weight	3300 g	3300 g	3300 g	3300 g	3300 g
Energy	7.5 Joules	16 Joules	20 Joules	16 Joules	20 Joules

CENTURY VARMINT



607.00.00-1 – WALTHER CENTURY VARMINT KIT

WALTHER CENTURY VARMINT

A reliable companion, featuring state-of-the-art technology and an indestructible Varmint synthetic thumbhole stock: the Walther Century Varmint. You have a choice of two calibers (4.5 / 5.5 mm) and three energy levels (7.5 / 16 / 20 Joules). This versatile rifle is robust, durable and reliable. The break-barrel mechanism, with a positive and non-positive wedge lock and release lever, always returns exactly to its position. The cocking rod moves smoothly and almost soundlessly in its synthetic guide rails. The XT trigger, with adjustable first stage travel, releases shots right at your finger's command. The Varmint comes without an open sight and is designed for use with a scope (available at extra cost).

New: The Walther Century Varmint kit includes a Umarex K3 silencer and a Walther 6 x 42 telescopic sight with mount.

Item no.	607.00.00	607.00.30	607.00.50	607.01.30	607.01.50	607.00.00-1
Caliber	4.5 mm (.177)	4.5 mm (.177)	4.5 mm (.177)	5.5 mm (.22)	5.5 mm (.22)	4.5 mm (.177)
Length	1100 mm	1100 mm	1100 mm	1100 mm	1100 mm	1100 mm
Weight	3607 g	3607 g	3607 g	3607 g	3607 g	3607 g
Energy	7.5 Joules	16 Joules	23 Joules	16 Joules	23 Joules	7.5 Joules

*SCOPE NOT INCLUDED

CLASSUS WS



608.50.00-1 – WALTHER CLASSUS WS KIT

WALTHER CLASSUS WS

Inside and out an integral whole: With its sophisticated technology and timeless design, the Walther Classus WS is true to the 130-year Walther tradition. It comes in calibers of 4.5 and 5.5 mm and in energy levels up to 20 Joules. Fine checkering on the classic Minelli beech stock provides a good grip, and a rubber recoil pad gives protection. The tried-and-tested LGV cocking rod of the Classus operates very smoothly. The short 400 mm Lothar Walther barrel with muzzle thread ensures tight groupings. The rifle is factory-equipped with an open sight.

Item no.	608.50.00	608.50.30	608.50.50	608.51.30	608.51.50	608.50.00-1
Caliber	4.5 mm (.177)	4.5 mm (.177)	4.5 mm (.177)	5.5 mm (.22)	5.5 mm (.22)	5.5 mm (.22)
Length	1070 mm	1070 mm	1070 mm	1070 mm	1070 mm	1070 mm
Weight	3120 g	3120 g	3120 g	3120 g	3120 g	3120 g
Energy	7.5 Joules	16 Joules	20 Joules	16 Joules	20 Joules	7.5 Joules

PARRUS



602.00.90 / 602.01.90



602.50.90 / 602.51.90

WALTHER PARRUS

With its muzzle energy of 30 Joules, the Walther Parrus packs considerably more power than the Ter-rus, its little brother. It comes in two variants: all black with an ergonomic synthetic stock and widened forearm, or in traditional wood with a lacquered beech stock and checkering. The fiber optic front sight provides a clear target image. In addition, a scope can be mounted on the integrated 11 mm rail.

Item no.	602.00.90	602.01.90	602.50.90	602.51.90
Caliber	4.5 mm (.177)	5.5 mm (.22)	4.5 mm (.177)	5.5 mm (.22)
Length	1215 mm	1215 mm	1215 mm	1215 mm
Weight	4220 g	4220 g	3950 g	3950 g
Energy	30 Joules	30 Joules	30 Joules	30 Joules

LGV MASTER PRO



WALTHER LGV MASTER PRO

This is how modern tradition can be: The Walther LGV Master Pro is instantly recognizable as a classic spring-powered air rifle with break-barrel action. But inside, it has a high-tech, precision-built mechanism. It's not a big noise-maker, however. With its unique rotary system, Super Silent Technology and Vibration Reduction System, the LGV can be held absolutely steady when a shot is fired and is especially quiet. Other features include an automatic trigger safety, XM trigger, adjustable rubber recoil pad and 1/2" UNF thread for mounting a silencer.

Item no.	600.50.05	600.50.32	600.50.53	600.51.34
Caliber	4.5 mm (.177)	4.5 mm (.177)	4.5 mm (.177)	5.5 mm (.22)
Length	1095 mm	1095 mm	1095 mm	1095 mm
Weight	3870 g	3870 g	3870 g	3870 g
Energy	7.5 Joules	16 Joules	23 Joules	16 Joules

*SCOPE NOT INCLUDED

LGU MASTER PRO



WALTHER LGU MASTER PRO

The Walther LGU Master has earned its title as “best out-of-the-box air rifle” through many tests. The Master Pro has even more to offer: A continuously variable butt plate allows it to be adjusted to the shooter’s stance and the height of the telescopic sight. This feature is of practical value because this model comes without a front and rear sight and requires a telescopic sight (available at extra cost).

The rifle has an underlever design with rotary piston, Super Silent Technology and Vibration Reduction System, allowing the barrel to be cocked with hardly any friction for extremely smooth firing.

Item no.	604.50.01	604.50.31	604.50.52	604.51.32	604.51.52
Caliber	4.5 mm (.177)	5.5 mm (.22)	4.5 mm (.177)	5.5 mm (.22)	5.5 mm (.22)
Length	1064 mm	1064 mm	1064 mm	1064 mm	1064 mm
Weight	4300 g	4300 g	4300 g	4300 g	4300 g
Energy	7.5 Joules	16 Joules	23 Joules	16 Joules	20 Joules

*SCOPE NOT INCLUDED

LGU VARMINT



604.00.00-1 — WALTHER LGU VARMINT KIT



604.100 — LGU ADAPTER FOR SILENCERS
Replaces the cap of the Walther LGU barrel weight, with 1/2" UNF thread for mounting the silencer K3 (2.4849) or K3 neo (2.5008).

WALTHER LGU VARMINT

Plain, black and so beautiful! With the exception of an adjustable butt plate, the black version of the LGU Varmint has the same impressive technical features as the Master Pro. This rifle is a real feast for the eyes, and thanks to its rugged ergonomic synthetic thumbhole stock it always sits well in one's hands.

Item no.	604.00.00	604.00.30	604.00.50	604.01.50	604.01.30	604.00.00-1
Caliber	4.5 mm (.177)	4.5 mm (.177)	4.5 mm (.177)	5.5 mm (.22)	5.5 mm (.22)	4.5 mm (.177)
Length	1070 mm	1070 mm	1070 mm	1070 mm	1070 mm	1070 mm
Weight	4400 g	4400 g	4400 g	4400 g	4400 g	4400 g
Energy	7.5 Joules	16 Joules	23 Joules	20 Joules	16 Joules	7.5 Joules

*SCOPE NOT INCLUDED



COMPRESSED AIR

PCP air rifles deliver three times the pressure of CO₂ rifles. This amazing power comes from a cylinder with air that is pre-compressed to about 2900 psi. Projectiles come out at a blazing speed. A built-in regulator keeps the pressure constant for precise shooting and tight groupings. Moreover, the shooter feels almost no recoil and can fire multiple rounds without cocking or reloading. Air rifles thus fully meet the demands placed on modern repeaters. Hunters and target shooters benefit from the fact that the cylinder pressure is independent of temperature. Whether the air is warm or cold, the pressure is constant. Our PCP models stand out for their superior workmanship, making them the first choice of professionals.

ROTEX RM8



WALTHER ROTEX RM8

The Walther Rotex RM8 is a multicultural marvel: English style, Italian wooden stock by Minelli, but made in Germany through and through. This eight-shot compressed air rifle comes in a range of energies for hunting and recreation. The ergonomic stock fits perfectly in your hands. The barrel, manufactured by Walther, has a 1/2" UNF thread for a silencer. A filler valve and pressure gauge are built in, but sights are not provided because this rifle is designed for use with a telescopic sight.

Item no.	465.10.00	465.10.30	465.10.50	465.11.30	465.11.50
Caliber	4.5 mm (.177)	4.5 mm (.177)	4.5 mm (.177)	5.5 mm (.22)	5.5 mm (.22)
Length	1040 mm	1040 mm	1040 mm	1040 mm	1040 mm
Weight	3610 g	3610 g	3610 g	3610 g	3610 g
Energy	7.5 Joules	16 Joules	24 Joules	16 Joules	30 Joules

*SCOPE NOT INCLUDED

ROTEX RM8 VARMINT



WALTHER ROTEX RM8 VARMINT

The Rotex RM8 with its handsome Minelli wooden stock is a real eye-catcher. But many Rotex fans will want to take this rifle out into the countryside, where they may have to carry it through dense undergrowth. Such users will do better with the RM8 Varmint with its futuristic synthetic thumbhole stock. The black surface is more resistant to scratches, and HI-GRIP™ areas on the grip and forearm ensure secure handling.

Item no.	465.10.06	465.10.36	465.10.56	465.11.06	465.11.36	465.11.56
Caliber	4.5 mm (.177)	4.5 mm (.177)	4.5 mm (.177)	5.5 mm (.22)	5.5 mm (.22)	5.5 mm (.22)
Length	950 mm	950 mm	950 mm	950 mm	950 mm	950 mm
Weight	3610 g	3610 g	3610 g	3610 g	3610 g	3610 g
Energy	7.5 Joules	16 Joules	24 Joules	7.5 Joules	16 Joules	30 Joules

*SCOPE NOT INCLUDED

TORMINATHOR



WALHER TORMINATHOR

It looks good, and it's eminently practical – the Walther Torminathor with its elegant Rotex stock is attractive and has plenty of endurance. Thanks to its 1250 system, this air rifle keeps going and going. And when you need to recharge it, the quick-fill air canister makes the job very easy.

Item no.	465.10.71	465.10.70	465.11.70
Caliber	4.5 mm (.177)	4.5 mm (.177)	5.5 mm (.22)
Length	1052 mm	1040 mm	1040 mm
Weight	4170 g	3610 g	3610 g
Energy	7.5 Joules	28 Joules	40 Joules

MAXIMATHOR

POWER TO THE MAX. THE MAXIMATHOR.

For hunters who want real power: 70 Joules, 200 bar and 40 shots per filling. With its elegant Italian wood stock and top-quality 600 mm blued steel barrel, the MaximaThor has a splendid appearance to go with its excellent precision. Absolute reliability is combined with tremendous power and accuracy. The traditions of German craftsmanship and Italian woodworking go hand in hand at a truly fair price. Hold it once, and you'll never want to put it down.

WALTHER MAXIMATHOR

When you need the maximum: The new Walther MaximaThor repeating compressed air rifle delivers an impressive 60 Joules with 5.5 mm pellets and as much as 70 Joules with 6.35 mm pellets. Power is supplied by the sleek 200-bar air cylinder with built-in pressure indicator and quick-fill opening. For this high pressure we recommend MaximaThor pellets, which were specially designed for the 8-round rotary magazine. In order that it can realize its full potential, the rifle comes with an 11 mm dovetail rail for mounting a telescopic sight. An open sight is not provided.



465.11.60 / 465.12.60

WALTHER MAXIMATHOR VARMINT

The MaximaThor is also available in a Varmint version. This black beauty features a futuristic all-synthetic thumbhole stock, which makes it less sensitive to scratches than its brother with a Minelli wooden stock. HI-GRIP™ areas on the grip and forearm ensure secure handling.



465.11.61 / 465.12.61

Item no.	465.11.60	465.12.60	465.11.61	465.12.61
Caliber	5.5 mm (.22)	6,35 mm (.25)	5.5 mm (.22)	6,35 mm (.25)
Length	1052 mm	1052 mm	1052 mm	1052 mm
Weight	4250 g	4250 g	4250 g	4250 g
Energy	60 Joules	70 Joules	60 Joules	70 Joules

1250 DOMINATOR

WALTHER 1250 DOMINATOR

A classic is reborn! That's the story behind the Walther 1250 Dominator. Walther's engineers successfully installed the mechanism of the legendary LG300 Dominator in a compressed air repeating system with an 8-round rotary clip. The bolt action presses the pellet directly into the barrel, ensuring high accuracy and very low energy loss even at long distances. The 300 bar cylinder can deliver 100 shots at 40 Joules. The Dominator also cuts a good figure. Raised studs on the forearm and pistol grip ensure a firm grasp from a firing position. The ambidextrous Monte Carlo cheek piece on the fiberglass-reinforced synthetic stock will please both right-handers and left-handers.

WALTHER 1250 DOMINATOR FT

The Walther 1250 Dominator FT is ideal for field target shooting enthusiasts. This discipline is now practiced in some 40 countries around the world. Shooters with air rifles aim through a telescopic sight at steel silhouettes. The folding targets are placed at distances of nine to 50 meters on 12 to 25 lanes in a forest or meadow. Only a minute is allowed per shot to estimate the distance, trajectory and wind. Scoring is based on the number of steel animals that are tipped over.



465.00.72 / 465.00.70 / 465.00.76 / 465.00.94 / 465.00.91



465.00.73 / 465.00.71 / 465.00.77 /
465.00.92 - INCL. SILENCER, BIPOD AND 8 - 32 X 56 WALTHER FIELD-TARGET
SCOPE (2.1525)

Item no.	465.00.72	465.00.70	465.00.76	465.00.94	465.00.91
Caliber	4.5 mm (.177)	4.5 mm (.177)	5.5 mm (.22)	6,35 mm (.25)	6,35 mm (.25)
Length	1040 mm	1040 mm	1040 mm	1040 mm	1040 mm
Weight	3610 g	3610 g	3610 g	3610 g	3610 g
Energy	7.5 Joules	28 Joules	40 Joules	7.5 Joules	50 Joules

Item no.	465.00.73	465.00.71	465.00.77	465.00.92
Caliber	4.5 mm (.177)	4.5 mm (.177)	5.5 mm (.22)	6,35 mm (.25)
Length	1160 mm	1040 mm	1040 mm	1160 mm
Weight	5600 g	3610 g	3610 g	5600 g
Energy	max. 7.5 Joules	max. 28 Joules	max. 40 Joules	max. 50 Joules



ACCESSORIES

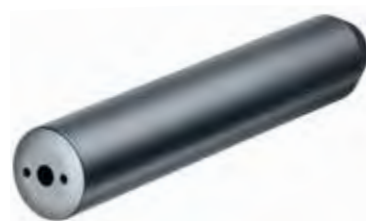
ACCESSORIES



WALTHER SCOPE
2.1525 — 8-32 x 56, with parallax side wheel and mounts.



UMAREX THREE-CHAMBER K3 SILENCER
2.4849 — This air rifle silencer was designed as part of the Walther LGV system. Precision-engineered and perfectly aligned with the barrel axis, the K3 with its three expansion chambers eliminates all turbulence. Pellets emerge almost silently from the barrel, and as an added benefit their groupings are often tighter. Renowned international experts agree that this is one of the best air rifle silencers you can buy.



UMAREX THREE-CHAMBER SILENCER K3 NEO
2.5008 — Proven technology in a new design.



UMAREX SILENCER
465.100 — Silencer for 850 AirMagnum & Cx4 Storm

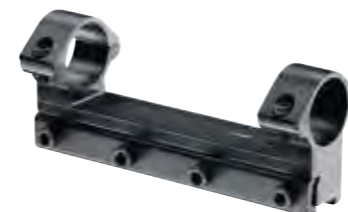


UMAREX MOCK SUPPRESSOR
465.106 — Mock suppressor



WALTHER XM PRO TUNING TRIGGER
600.110 — Adjustable first stage travel, trigger weight and let-off point, made of metal.

WALTHER KNEE REST KIT
465.124 — With 3 slots for magazines.



WALTHER LOCKDOWN
2.1600 — Integral Scope Mount with stop-pin with rings 1".



PICATINNY RAIL
465.104 — For scopes and dot sights.



ADAPTER RAIL
416.112 — 11 mm dovetail rail for red dot sights on CO₂ pistols. Fits Walther CP88, Colt 1911 and Beretta M92 FS.



COMBINATION RAIL WITH WEAVER PROFILE
416.116 — With 11 mm and 22 mm mount.



WALTHER CO₂ ADAPTER SET
5.8103 — For CO₂-powered airguns with an 88 g CO₂ cylinder, including eight 12 g CO₂ capsules.



QUICK CHANGE ADAPTER 2 x 12 g
465.101 — Quick-Change CO₂-Adapter 2 x 12 g fits for 850 AirMagnum



STANDARD POLYMER ROTARY MAGAZINE

for Hämmerli 850 AirMagnum
465.102 — 4.5 mm (.177), 8 rounds, 2 pcs.
465.103 — 5.5 mm (.22), 8 rounds, 2 pcs.
465.117 — 6,35 mm (.25), 8 rounds, 2 pcs.

ROTARY MAGAZINE FOR CO₂

for Beretta M92 FS, Colt 1911, Heckler & Koch P30, Walther CP88, Walther CP99, Walther NightHawk, Walther Lever Action
416.120 — 4.5 mm (.177), 8 rounds, 3 pcs.

ROTARY MAGAZINE

448.106 — 4.5 mm (.177), 10 rounds, 3 pcs.

MAGAZINE FOR BERETTA Cx4 STORM

475.100 — 4.5 mm (.177), 30 rounds, 2 pcs.

CO₂ AND BB / PELLET MAGAZINE

402.102 — All-in-One Magazin for Heckler & Koch P30, fits with BBs and pellets.

CO₂ MAGAZINE

412.102 — For CP99



PREMIUM ALUMINIUM ROTARY MAGAZINE

465.170 — 4.5 mm (.177), 8 rounds, 2 pcs.
465.171 — 5.5 mm (.22), 8 rounds, 2 pcs.



QUICK SHOT BIPOD

2.5118 — Quick Shot bipod with hand grip.



BIPOD TMB II

2.5119 — Height-adjustable, foldable, with 2 Picatinny rails.



TACTICAL METAL BIPOD — Picatinny rail, suitable for all Weaver and Picatinny rails.



INTERCHANGEABLE BARREL SYSTEM 4"

448.100 — For Smith & Wesson 586 and 686



INTERCHANGEABLE BARREL SYSTEM 6"

448.102 — For Smith & Wesson 586 and 686



INTERCHANGEABLE BARREL SYSTEM 4"

416.100 — For Walther CP88



INTERCHANGEABLE BARREL SYSTEM 6"

416.101 — For Walther CP88



INTERCHANGEABLE BARREL SYSTEM 6"

416.102 — Nickel / for Walther CP88





FILLING VALVE
465.172 — For Rotex RM8 / MaximaThor



QUICKFILL
465.173 — Filling tube with deaeration screw, suitable to connect with compressed air bottles, for Rotex-Systems and MaximaThor.



DRY PACK
465.114.1 — For hand pump, enough for 3 uses



HAND PUMP
465.114 — For filling the compressed air cylinder, including moisture-absorbing dry pack system.



UMAREX FT STEEL TRAINING TARGETS
With variable hit zones (15-40 mm)
465.111-2 — Rabbit
465.111-4 — Crow



UMAREX STEEL FT TARGETS
With variable hit zones (15-40 mm) and reset-line.
465.112-4 — Crow
465.112-5 — Rat

HECKLER & KOCH STEEL BBs

1 4.1700 — 4.5 mm (.177) / 1500 pcs.

UMAREX STEEL BBs

2 4.1660 — 4.5 mm (.177) / 1500 pcs.

3 4.1664 — 4.5 mm (.177) / 5000 pcs.

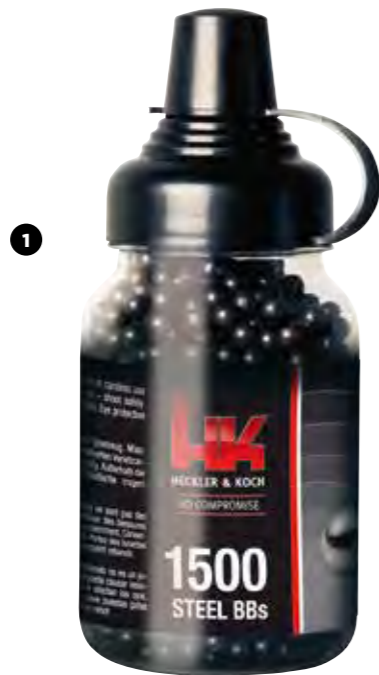
UMAREX RIFLE DARTS

4 4.1650 — 4.5 mm (.177) / 100 pcs.

WALTHER STEEL BBs

5 4.1668 — 4.5 mm (.177) / 1500 pcs.

6 4.1670 — 4.5 mm (.177) / 3000 pcs.



UMAREX CLEANING EXPERT SET

7 3.2049 — Caliber 4.5 mm (.177) and 5.5 mm (.22)

UX CLEANING KIT

8 3.2054 — Caliber 4.5 mm (.177) and 5.5 mm (.22)

WALTHER OIL PAD

9 3.2063 — 40 x 100 cm

10 3.2062 — 40 x 50 cm



UMAREX COBRA
 4.1916 — 4.5 mm / 0,56 g / 5 x 500 pcs.
 4.1964 — 5.5 mm / 1,02 g / 5 x 200 pcs.



UMAREX MATCH
 4.1967 — 4.5 mm / 0,48 g / 5 x 500 pcs.



WALHER HUNTER COPPER IMPACT
 4.1936 — 4.5 mm / 0,54 g / 200 pcs.



WALHER FINALE MATCH RIFLE
 4.1931 — 4.5 mm / 0,53 g / 5 x 500 pcs.



UMAREX MOSQUITO
 4.1915 — 4.5 mm / 0,48 g / 5 x 500 pcs.
 4.1920 — 5.5 mm / 0,83 g / 5 x 250 pcs.



WALHER MAXIMATHOR
 4.1970 — 5.5 mm / 1,37 g / 5 x 200 pcs.
 4.1971 — 6.35 mm / 2,01 g / 2 x 200 pcs.



UX SHELLS for Colt SAA.45
 5.8332 — 4.5 mm / Pellets / 6 pcs.



QUICK CLEANING PELLETS
 3.2055 — 4.5 mm (.177) / 100 pcs.



WALHER COPPER IMPACT
 4.1933 — 4.5 mm / 0,48 g / 5 x 500 pcs.
 4.1935 — 5.5 mm / 1,05 g / 5 x 250 pcs.



WALHER HUNTER IMPACT
 4.1934 — 4.5 mm / 0,54 g / 200 pcs.



WALHER PISTON GREASE, 30 ML
 3.2060 — For a controlled combustion and optimum lubrication.

WALHER SPRING GREASE, 10 ML
 3.2061 — Special grease with high ignition temperature for spring lubrication.



PELLETTRAP gged pellet trap made of sheet steel provides hours of reliable service - safe shooting for young and old. Pellet trap, black, with four steel duck silhouettes. When the smaller center target is hit all targets return to the upright position. Suitable for up to 7.5 Joules.

PERFECTA PELLET TRAP

3.2092 — up to 7.5 Joules only / suitable for 17 x 17 cm paper target / incl. 4 metal targets



MAGNUM PELLET TRAP

3.2089 — Paper targets show how well you and your friends can shoot. This heavy pellet trap, designed for projectile energies up to an incredible 32 Joules, is suitable for 14 x 14 cm targets, ten of which are supplied so that you can start right off.



PELLET TRAP "BIG FIVE"

3.2088 — Like 3.2080, but with the silhouettes of famous animals.



UMAREX RIFLE BAG
3.1577 — Red Line M
108 x 22 x 10 cm / incl.
combination lock
3.1578 — Red Line L
122 x 22 x 10 cm / incl.
combination lock



3.1576 — **UMAREX RIFLE BAG**



WALTHER FUTTERAL
3.1579 — Blue Line M
108 x 22 x 10 cm / incl.
combination lock
3.1580 — Blue Line L
122 x 22 x 10 cm / incl.
combination lock



WALTHER PISTOL BAG
3.1584 — Blue Line L



3.9000 — **WALTHER RANGEBAG**



3.1700 — **UMAREX GUN CASE**

Handwriting practice area on page 166, consisting of 25 horizontal dotted lines.

Handwriting practice area on page 167, consisting of 25 horizontal dotted lines.

UMAREX